

Kidde Fire System ECS™ with HFC227ea Agent System Component Description



Effective: September 2018
K-90-2160 Rev AA

360 and 180 Degree Pendant Nozzle

FEATURES

- For Use with UL, ULC and FM Approved Systems
- See Kidde® Manual 06-236225-001 for USCG Approval
- RoHS Compliant

360 Degree Pendant Nozzle

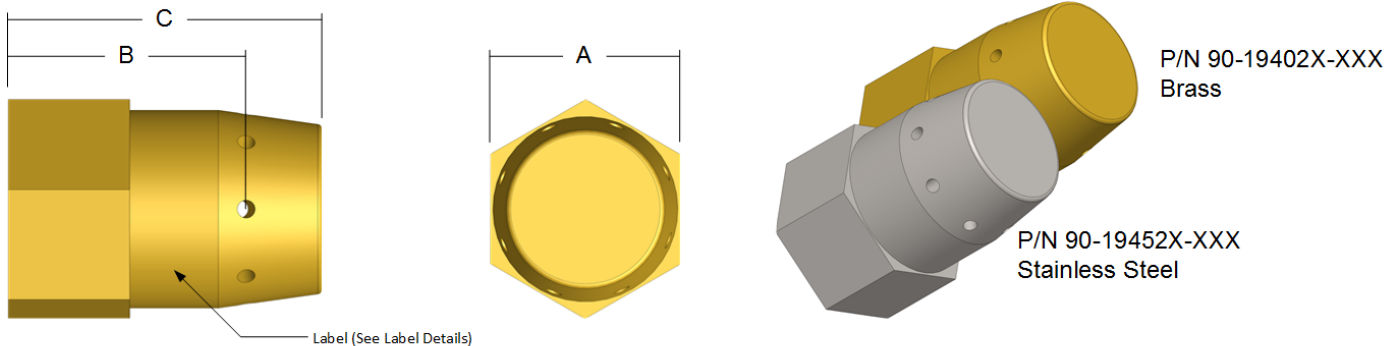


Table 1. Dimensions–360° Discharge Nozzle

Pipe Size	A	B	C
½ in (12.70 mm)	1.250 in (31.75 mm)	1.468 in (37.30 mm)	1.937 in (49.20 mm)
¾ in (19.05 mm)	1.500 in (38.10 mm)	1.578 in (40.08 mm)	2.125 in (53.97 mm)
1 in (25.40 mm)	1.750 in (44.45 mm)	1.718 in (43.64 mm)	2.375 in (60.32 mm)
1¼ in (31.75 mm)	2.250 in (57.15 mm)	1.950 in (49.53 mm)	2.751 in (69.88 mm)
1½ in (38.10 mm)	2.500 in (63.50 mm)	2.000 in (50.80 mm)	2.937 in (74.60 mm)
2 in (50.80 mm)	3.000 in (76.20 mm)	2.062 in (52.37 mm)	3.125 in (79.37 mm)

Note: 1) A selection of orifices are available for each nozzle size. Refer to your Kidde® Design, Installation, Operation, and Maintenance Manual for details.

2) The flow calculation software provides the exact part number for each nozzle in the Parts List Report.

MATERIAL:

- P/N: 90-19402X-XXX: Brass
- P/N: 90-19452X-XXX: Stainless Steel

COMPATIBILITY

For use with Kidde ECS Fire Suppression Systems using HFC-227ea Agent.

180 Degree Pendant Nozzle

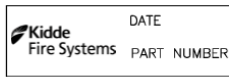
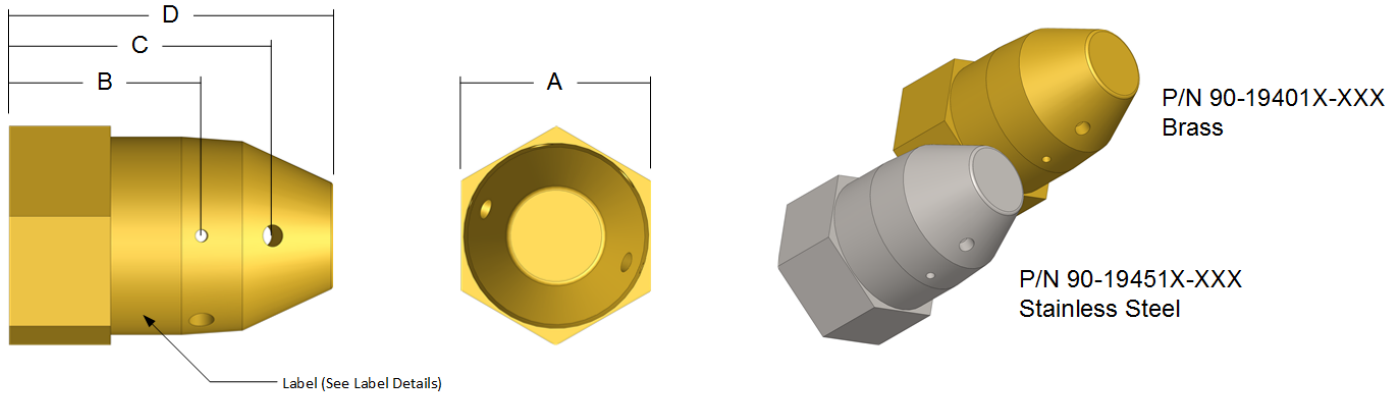


Table 2. Dimensions–180° Discharge Nozzle

Pipe Size	A	B	C	D
½ in (12.70 mm)	1.25 in (31.75 mm)	1.187 in (30.15 mm)	1.625 in (41.28 mm)	1.937 in (49.20 mm)
¾ in (19.05 mm)	1.5 in (38.10 mm)	1.375 in (34.92 mm)	1.95 in (49.53 mm)	2.296 in (58.32 mm)
1 in (25.40 mm)	1.75 in (44.45 mm)	1.562 in (39.67 mm)	2.218 in (56.34 mm)	2.671 in (67.84 mm)
1¼ in (31.75 mm)	2.25 in (57.15 mm)	1.75 in (44.45 mm)	2.656 in (67.46 mm)	3.25 in (82.55 mm)
1½ in (38.10 mm)	2.5 in (63.5 mm)	1.95 in (49.53 mm)	2.95 in (74.93 mm)	3.625 in (92.07 mm)
2 in (50.80 mm)	3.0 in (76.2 mm)	1.968 in (49.98 mm)	2.875 in (73.02 mm)	3.656 in (92.86 mm)

Note: 1) A selection of orifices are available for each nozzle size. Refer to your Kidde Design, Installation, Operation, and Maintenance Manual for details.

2) The flow calculation software provides the exact part number for each nozzle in the Parts List Report.

MATERIAL:

- P/N: 90-19401X-XXX: Brass
- P/N: 90-19451X-XXX: Stainless Steel

COMPATIBILITY

For use with Kidde ECS Fire Suppression Systems using HFC-227ea Agent.

EXPORT INFORMATION (USA)

Jurisdiction: EAR

Classification: EAR99

This document contains technical data subject to the EAR.

KIDDE is a registered trademarks of Kidde-Fenwal, Inc., or its parents, subsidiaries or affiliates.

This literature is provided for informational purposes only. KIDDE-FENWAL, INC. believes this data to be accurate, but it is published and presented without any guarantee or warranty whatsoever. KIDDE-FENWAL, INC. assumes no responsibility for the product's suitability for a particular application. The fire suppression system design, installation, maintenance, service and troubleshooting must be performed by trained, authorized Kidde Fire Systems distributors for the product to work correctly. If you need more information on this product, or if you have a particular problem or question, contact: KIDDE-FENWAL, INC., Ashland, MA 01721 USA, Telephone: (508) 881-2000.