

FM-200[®] Component Description

Cylinder and Valve Assembly,
125 lb. (56.7 kg) Capacity



Effective: April 2007
K-90-2030

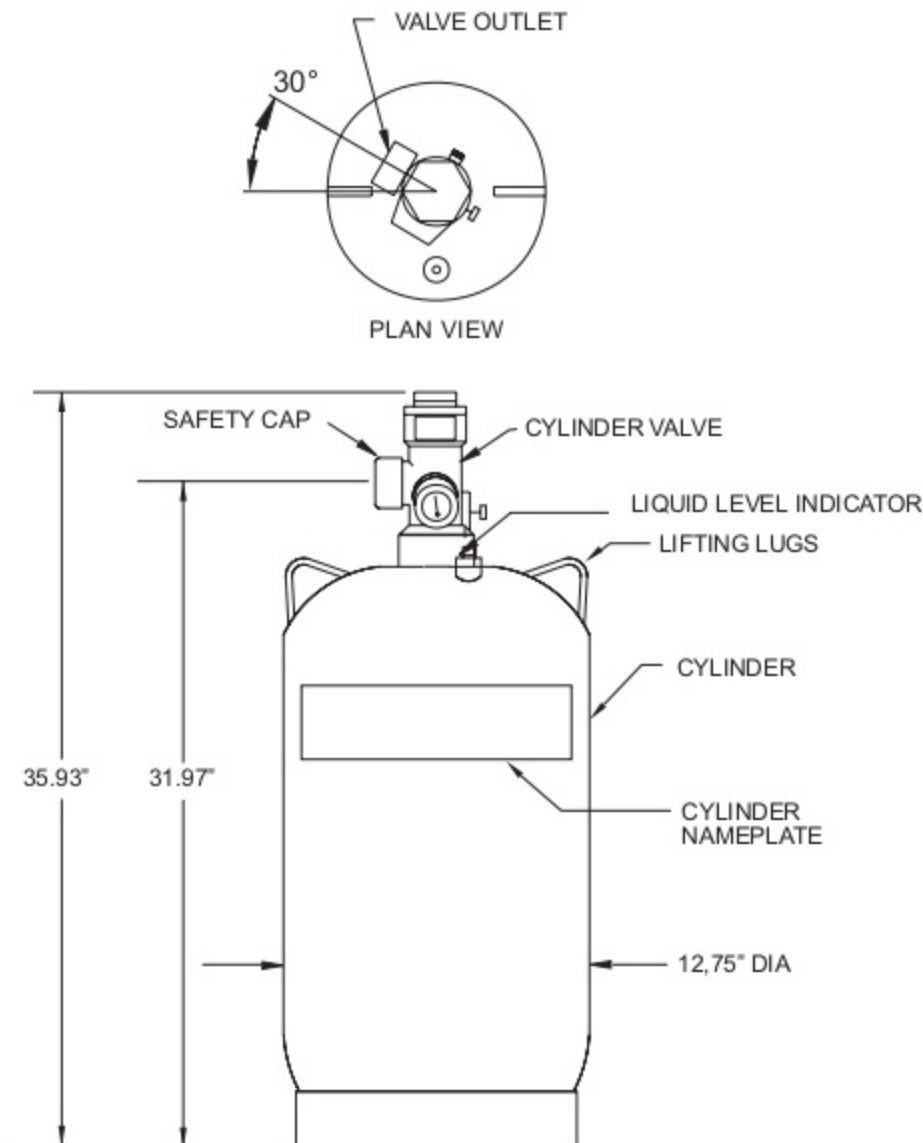
FEATURES

- For Use with UL Listed, ULC Listed and FM Approved Systems

P/N: 90-10012X-001

ORDERING INFORMATION

Part Number	Description
90-100121-001	w/LLI
90-100125-001	STD



MATERIALS

- Valve Body: Brass
- Cylinder: Steel, Painted Red

Notes:

1. The safety cap must be installed on the valve outlet at all times, except when the cylinders are connected to the system piping, or being filled. The safety cap must not be removed from its chain.
2. See K-90-2020 for additional information.

FM-200 is a registered trademark of the Great Lakes Chemical Corporation.

This literature is provided for informational purposes only. KIDDE-FENWAL, INC. assumes no responsibility for the product's suitability for a particular application. The product must be properly applied to work correctly. If you need more information on this product, or if you have a particular problem or question, contact KIDDE-FENWAL, INC., Ashland, MA 01721. Telephone: (508) 881-2000.

Kidde Fire Systems
A UTC Fire & Security Company
400 Main Street
Ashland, MA 01721
Ph: 508.881.2000
Fax: 508.881.8920
www.kiddefiresystems.com

FM-200[®] Component Description



Cylinder Data

Effective: April 2007
K-90-2070

FEATURES

- For Use with UL Listed, ULC Listed and FM Approved Systems

ENGINEERED SYSTEMS CYLINDER DATA

Part Number	Fill Range		Empty Weight		Gross Weight				With LLI	Height		Diameter		Volume	
	lb.	kg	lb.	kg	Min. Fill		Max. Fill			in.	cm	in.	cm	ft. ³	m ³
90-100010-001	5 to 10	3 to 5	25	11	30	14	35	16	No	17.30	44	7.07	18	0.167	0.0047
90-100020-001	9 to 20	4 to 9	31	14	40	18	51	23	No	24.97	64	7.07	18	0.286	0.0081
90-100040-001	17 to 40	8 to 18	38	17	55	25	78	35	No	26.76	68	9.00	23	0.572	0.0162
90-100070-001	30 to 70	14 to 32	52	24	82	38	123	56	No	38.83	99	9.00	23	1.000	0.0283
90-100121-001	54 to 125	25 to 57	98	45	152	69	223	101	Yes	35.93	92	12.75	33	1.788	0.0506
90-100125-001	54 to 125	25 to 57	98	45	152	69	223	101	No	35.93	92	12.75	33	1.788	0.0506
90-100200-001	86 to 200	39 to 91	139	63	225	102	341	154	No	50.35	128	13.60	35	2.859	0.0810
90-100201-001	86 to 200	39 to 91	141	64	227	103	343	155	Yes	50.35	128	13.60	35	2.859	0.0810
90-100200-101	86 to 200	39 to 91	133	60	219	100	333	151	No	52.75	134	12.75	33	2.859	0.0810
90-100201-101	86 to 200	39 to 91	133	60	219	100	333	151	Yes	52.75	134	12.75	33	2.859	0.0810
90-100350-001	150 to 350	68 to 159	201	91	351	159	555	250	No	58.36	149	16.00	41	5.000	0.1416
90-100351-001	150 to 350	68 to 159	203	92	341	160	557	251	Yes	58.36	149	16.00	41	5.000	0.1416
90-100600-001	258 to 600	114 to 272	335	152	593	270	935	425	No	56.72	145	22.00	56	8.572	0.2427
90-100601-001	258 to 600	114 to 272	337	153	595	270	937	426	Yes	56.72	145	22.00	56	8.572	0.2427
90-100600-100	258 to 600	117 to 272	362	165	620	281	962	437	No	58.00	147	22.00	56	8.680	0.2460
90-100601-100	258 to 600	117 to 272	362	165	620	281	962	437	Yes	58.00	147	22.00	56	8.680	0.2460
90-100900-001	390 to 900	178 to 408	505	230	895	407	1405	639	No	70.00	178	24.00	61	13.000	0.3680
90-100901-001	390 to 900	178 to 408	505	230	895	407	1405	639	Yes	70.00	178	24.00	61	13.000	0.3680

Note: Engineered systems have a fill density range of 30 lb./cu. ft. to 70 lb./cu. ft.

FM-200 is a registered trademark of the Great Lakes Chemical Corporation.

This literature is provided for informational purposes only. KIDDE-FENWAL, INC. assumes no responsibility for the product's suitability for a particular application. The product must be properly applied to work correctly. If you need more information on this product, or if you have a particular problem or question, contact KIDDE-FENWAL, INC., Ashland, MA 01721. Telephone: (508) 881-2000.