

Kidde ECS Fire Suppression System Component Description



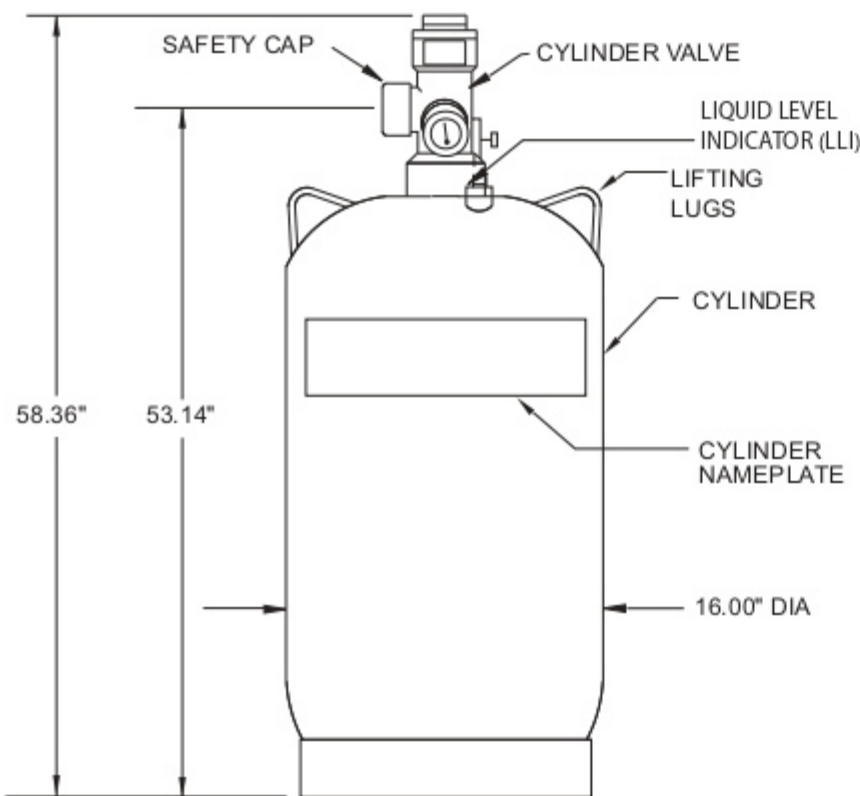
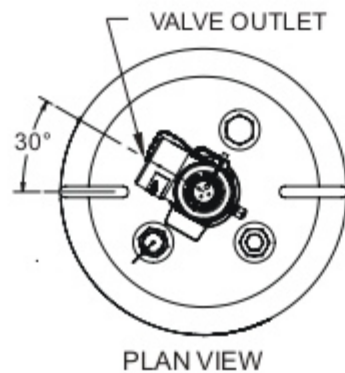
Effective: June 2014

K-90-2050 Rev BA

Cylinder and Valve Assembly, 350 lb. (158.7 kg) Capacity

FEATURES

- For Use with UL Listed, ULC Listed and FM Approved Systems
- RoHS Compliant
- See Kidde Manual 06-236225-001 for USCG Approval



ORDERING INFORMATION

Part Number	Description
90-100350-001	STD
90-100351-001	w/LLI

MATERIALS

- Valve Body: Brass
- Cylinder: Steel, Painted Red

COMPATIBILITY

Series	For Use With
Kidde ECS HFC-227ea	X

Notes:

1. The safety cap must be installed on the valve outlet at all times, except when the cylinders are connected to the system piping, or being filled. The safety cap must not be removed from its chain.
2. Cylinders manufactured prior to May 2014 have only 1 boss. The safety burst disk and other port are on the valve.
3. See K-90-2070 for additional information.

This literature is provided for informational purposes only. KIDDE-FENWAL, INC. assumes no responsibility for the product's suitability for a particular application. The product must be properly applied to work correctly. If you need more information on this product, or if you have a particular problem or question, contact KIDDE-FENWAL, Inc.

Kidde is a registered trademark of Kidde-Fenwal Inc. All other trademarks are the property of their respective owners.